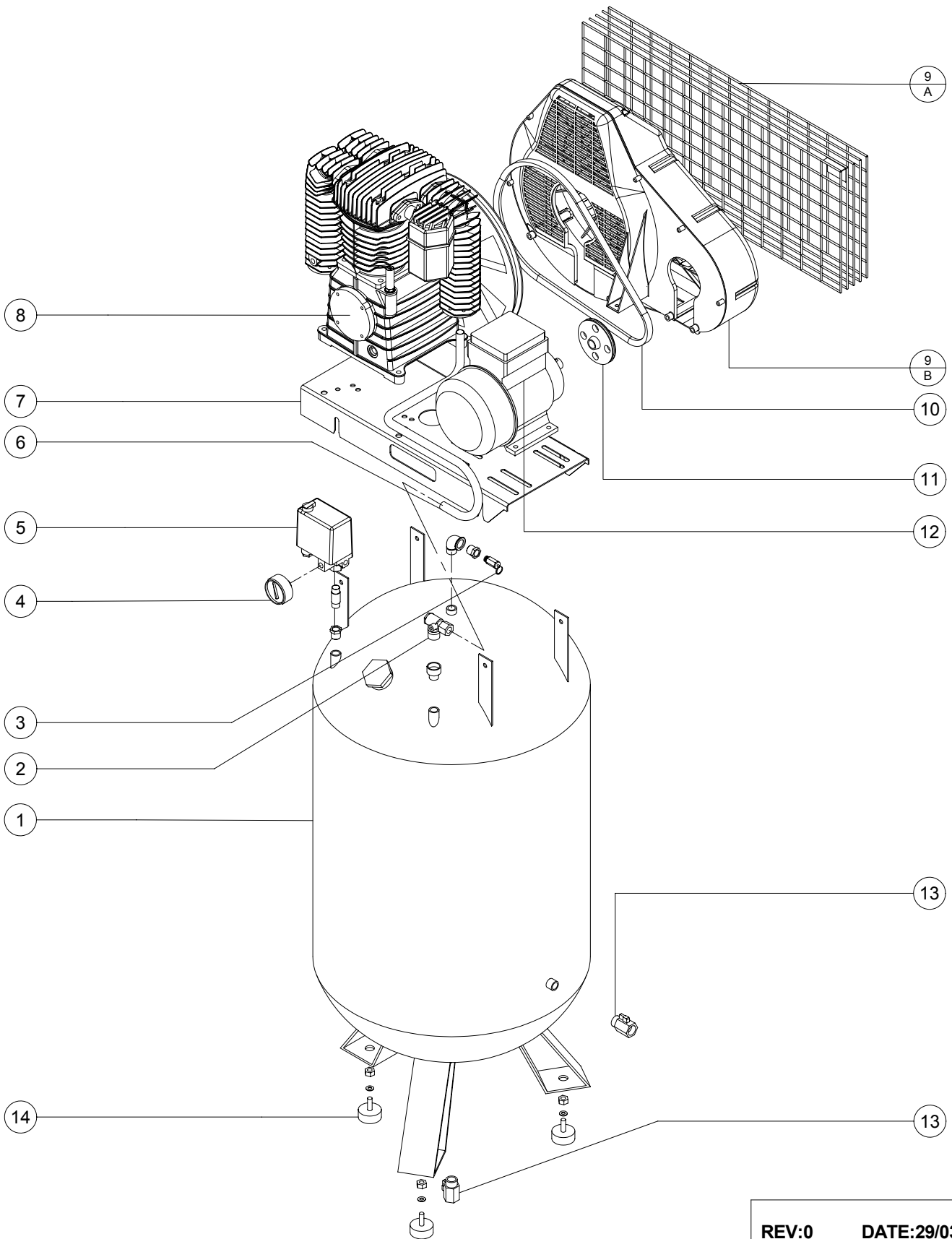


# COMP FTV 750/270 K30 HP5,5 TP 400/50 CE



REV:0      DATE:29/03/2005

N°	CODE	DENOMINAZIONE	DENOMINATION	DENOMINATION	BEZEICHNUNG	DENOMINATION
<b>MOD: COMP FTV 750/270 K30 HP5,5 TP 400/50 CE</b>						
1	11800490	SERBATOIO 270LT	TANK 270LT	RESERVOIR 270LT	BEHAELTER 270LT	TANQUE 270LT
2	14400290	VR 1" M	NON RET VALVE 1"	SOUPAPE RETENUE 1"	RUCKSCHLAGVENTILE	VALVULAS ANTIRRET.
3	14401350	VS 3/8" 11B	SAFETY VALVES	SOUPAPES DE SURETE	SICHERHEITSVENTILE	VALVULAS DE SEGUR.
4	15000060	MANOMETRO D63	PRESSURE GAUGE D63	MANOMETRE D63	MANOMETER D63	MANOMETRE D63
5	12800410	PRESS.TRIFASE	THREE-PHASE PRESS.	PRESSOSTATS TRIPH.	DREIPHASEN.	PRESOSTATOS TRIF.
6	14303200	TUBO DI MANDATA	DELIVERY HOSE	TUYAUX REFOUL	AUSUGS ROHREN	TUBO VUELTA
7	14202110	PIASTRA BASE	BASE PLATE	PLAQUE BAS	BASIS PLATTE	PLACA BASE
8	K3010260	GRUPPO K30	GROUP K30	GROUPE K30	AGGREGAT K30	CABEZAL K30
9/A	12505350	KIT PARACINGHIA	BELT GUARD	PROTEGE COURROIE	RIEMENSHUETZE KLEN	PROTECCION CORREA
9/B	12504390	KIT PARACINGHIA	PLASTIC BELT GUARD	PROTEGE COURROIE	RIEMENSHUETZE KLEN	PROTECCION CORREA
10	13900530	CINGHIA TPZ B57	BELT TPZ B57	COURROIE TPZ B57	RIEMEN TPZ B57	CORREA TPZ B57
11	13501020	PULEGGIA 120 1B D28	PULLEY 120 1B D28	POULIE 120 1B D28	SCHEIBE 120 1B D28	POLEA 120 1B D28
12	10700240	MOTORE TRIF.HP5,5	MOT THREE-PH HP5,5	MOT TRIPHASE	DREIPHASIG MOT	MOT TRIFASICO
13	15300240	RUBINETTO SFERA	RAPID BALL TAPS	ROBINETS A BILLE	SCHNELLKUPPLUNGEN	ENCHUFES DE BOLAS
14	16500190	PIEDE GOMMA	FOOT RUBBER	PIED	FUSS	PIE

REV:0  
DATE 29/03/2005